



PLATINUM series

Haltech CAN Hub

(HT059990)

QUICK START GUIDE



LIMITED WARRANTY

Lockin Pty Ltd trading as Haltech warrants the Haltech™ Programmable Fuel Injection System to be free from defects in material or workmanship for a period of **12 months** from the date of purchase.

Proof of purchase, in the form of a bill of sale or receipted invoice, which indicates that the product is within the warranty period, must be presented to obtain warranty service. Lockin Pty Ltd trading as Haltech suggests that the purchaser retain the dealer's dated bill of sale as evidence of the date of retail purchase.

If the Haltech™ Programmable Fuel Injection System is found to be defective as mentioned above, it will be replaced or repaired if returned prepaid along with proof of purchase. This shall constitute the sole liability of Lockin Pty Ltd trading as Haltech.

To the extent permitted by law, the foregoing is exclusive and in lieu of all other warranties or representations, either expressed or implied, including any implied warranty of merchantability or fitness. In no event shall Lockin Pty Ltd trading as Haltech, be liable for special or consequential damages.

DISCLAIMER

Haltech will not be held responsible for any damage caused by the incorrect installation or tuning of this product. It is the installers responsibility to ensure the wiring connections and pinouts match that of the vehicle the unit is being installed into.

Haltech has taken all care to make sure the connections match the specified vehicles listed, but variations in wiring and connections on vehicles can occur and therefore this should be checked BEFORE the unit is installed.

Haltech highly recommends installation and tuning of this product is to be carried out by a professional, with an understanding on installing and tuning engine management systems. Misuse of this product can destroy your engine.

WARNING – HALTECH OFF-ROAD USAGE POLICY

It is unlawful to tamper with your vehicle's emissions equipment.

This ECU is designed and sold for Sanctioned Offroad/Competition Non-Emissions Controlled Vehicles only. Using this product for street / road use on public highways is prohibited by law. It is the responsibility of the installer and/or user of this product to ensure compliance with all applicable local and federal laws and regulations. Please check with your local vehicle authority before using this product.

GENERAL INSTALLATION WARNING

Avoid open sparks, flames or operation of electrical devices near flammable substances. Always disconnect the battery cables when doing electrical work on your vehicle.

Do not charge the battery with a 24 Volt truck charger or reverse the polarity of the battery or any charging unit. Do not charge the battery with the engine running as this could expose the ECU to an unregulated power supply that could destroy the ECU and other electrical equipment.

All fuel system components and wiring should be mounted away from heat sources, shielded if necessary and well ventilated. Disconnect the Haltech ECU from the electrical system whenever doing any arc welding on the vehicle by unplugging the wiring harness connector from the ECU.

After completing the installation, make sure that there are no fuel leaks, and no wiring left un-insulated in case a spark or short-circuit occurs and causes a fire. Also make sure that you follow all proper workshop safety procedures. If you're working underneath a jacked-up car, always use safety stands!

Haltech CAN Hub

Quick Start Guide

Congratulations on purchasing a Haltech Engine Management CAN Hub. This *Plug and Play* product allows you to expand the functionality of your ECU by allowing the connection of other Haltech CAN based expansion devices.

This quick start guide will walk you through installation of the Haltech CAN Hub into a vehicle. This guide is accompanied by the full service manual located on the software CD provided with the ECU that you or your tuner will need to refer to before completing your installation and configuration. The manual can also be downloaded from the Haltech website www.haltech.com

Included in Haltech CAN Hub Kit

- Haltech CAN Hub
- Haltech CAN Cables White (4 x 300mm)
- Quick start guide
- Haltech Sticker

Optional Accessories (Sold Separately)

- CAN Cable Direct Connection Black / Black 75mm (HT040050)
- CAN Cable Hub Connection White / White 75mm (HT040051)
- CAN Cable Direct Connection Black / Black 150mm (HT040052)
- CAN Cable Hub Connection White / White 150mm (HT040053)
- CAN Cable Direct Connection Black / Black 300mm (HT040054)
- CAN Cable Hub Connection White / White 300mm (HT040055)
- CAN Cable Direct Connection Black / Black 600mm (HT040056)
- CAN Cable Hub Connection White / White 600mm (HT040057)
- CAN Cable Direct Connection Black / Black 900mm (HT040058)
- CAN Cable Hub Connection White / White 900mm (HT040059)
- CAN Cable Direct Connection Black / Black 1200mm (HT040060)
- CAN Cable Hub Connection White / White 1200mm (HT040061)
- CAN Cable Direct Connection Black / Black 1800mm (HT040062)
- CAN Cable Hub Connection White / White 1800mm (HT040063)
- CAN Cable Direct Connection Black / Black 2400mm (HT040064)
- CAN Cable Hub Connection White / White 2400mm (HT040065)
- CAN Cable Hub Connection White / White 3000mm (HT040066)
- CAN Cable Direct Connection Black / Black 3000mm (HT040067)
- CAN Cable Hub Connection White / White 3600mm (HT040068)
- CAN Cable Direct Connection Black / Black 3600mm (HT040069)

The Haltech CAN Network

The Haltech CAN network allows for simple and effective expansion in ECU capability and functionality without having to go to the trouble of wiring in a whole new computer.

Expansion is made possible by the addition of multiple expansion devices that communicate to the main ECU via a Control Area Network (CAN).

Installation time and costs are kept to a minimum as all expansion devices are powered up from the main ECU via the pre-terminated connection cable that comes with each expansion device.

Each expansion device is pre-programmed with a unique ID code which allows it to be recognised on the network and work correctly first time every time.

For current available expansion devices please go to our website at www.haltech.com

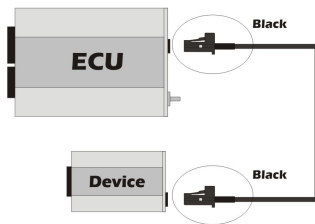
Connection Rules of the Haltech CAN Hub

- The Haltech ECU **must** be in position 1 of the CAN Hub.
- If only one device is connected, a Black / Black cable is required.
- The RacePak IQ-3 must be in the last position occupied on the CAN Hub, that is furthest away from the ECU.
- The first and last positions occupied on the CAN Hub **must** be terminated. This is indicated by the use of a Black / Black cable. All other devices **must not** be terminated, indicated by the use of a White / White cable.
- Positions on the CAN bus must be used in sequential order, (ie 1-2-3) Any break in the position order will break the network.
- The total current limit on the ECU is 1A. Excessive current draw will reset the ECU's internal fuse.

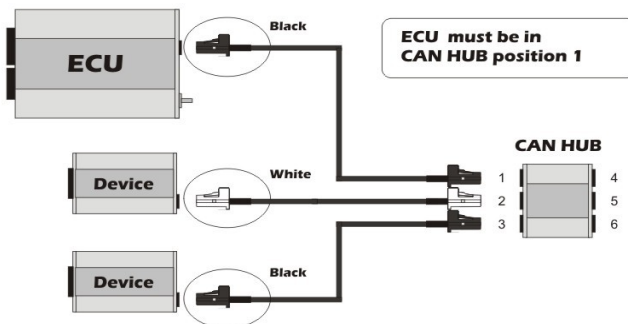
CAN Hub Configurations

The following diagrams show the correct wiring of the CAN Hub to expansion devices in multiple

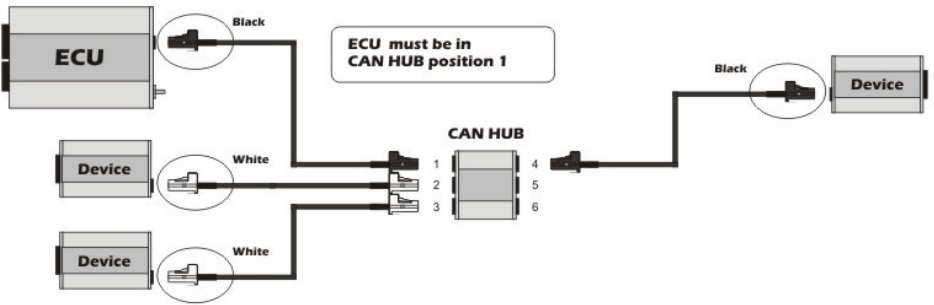
Please take note of the CAN cable connector colours and their position on the CAN BUS.



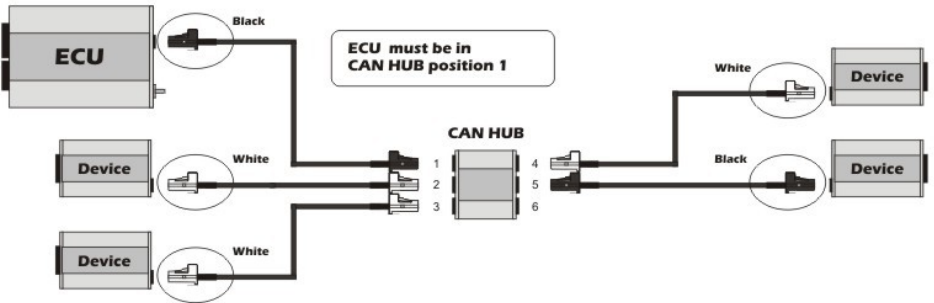
ECU with 1 Device (No CAN Hub Required)



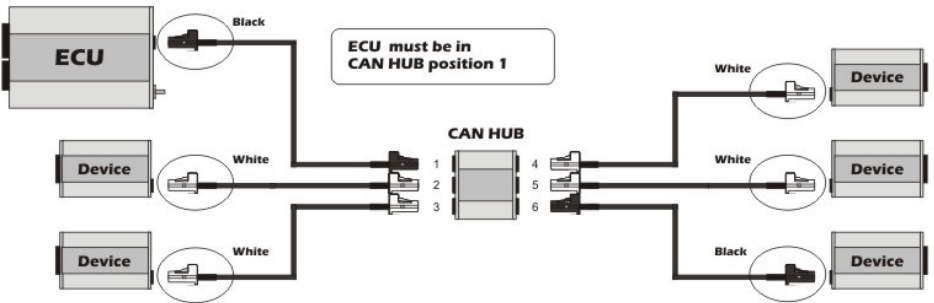
ECU with 2 Devices



ECU with 3 Devices



ECU with 4 Devices



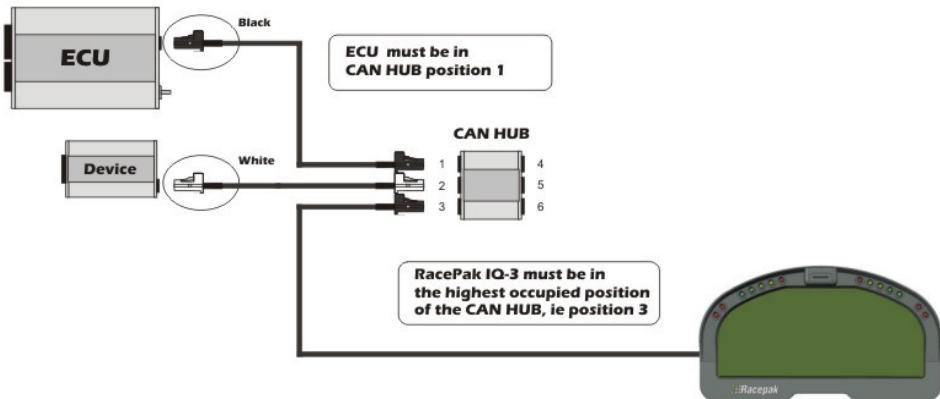
ECU with 5 Devices

CAN Hub Configurations with RacePak IQ-3 Dash

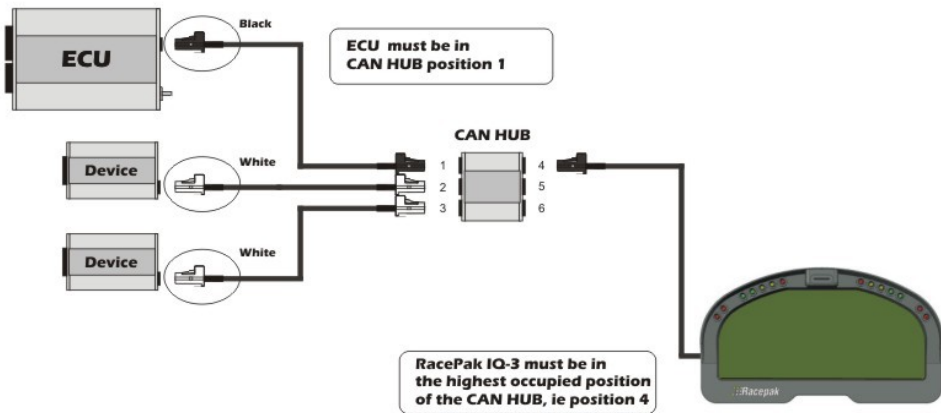
The RacePak IQ-3 must be in the last position occupied on the CAN Hub, that is furthest away from the ECU.



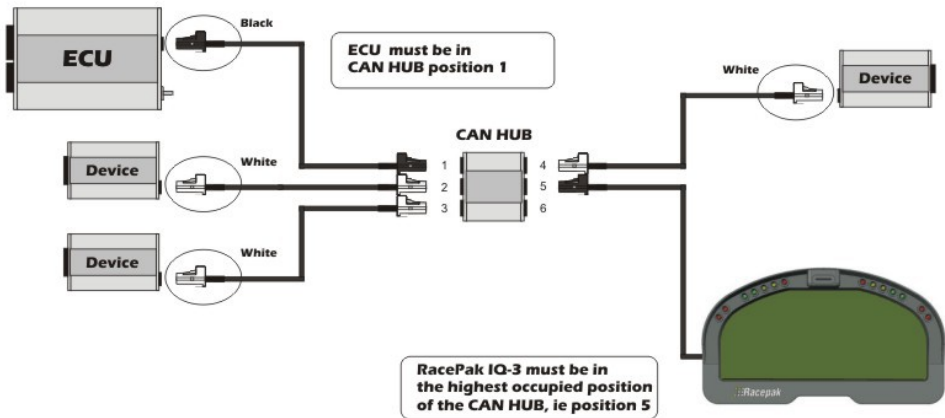
ECU with RacePak IQ-3 (No CAN Hub Required)



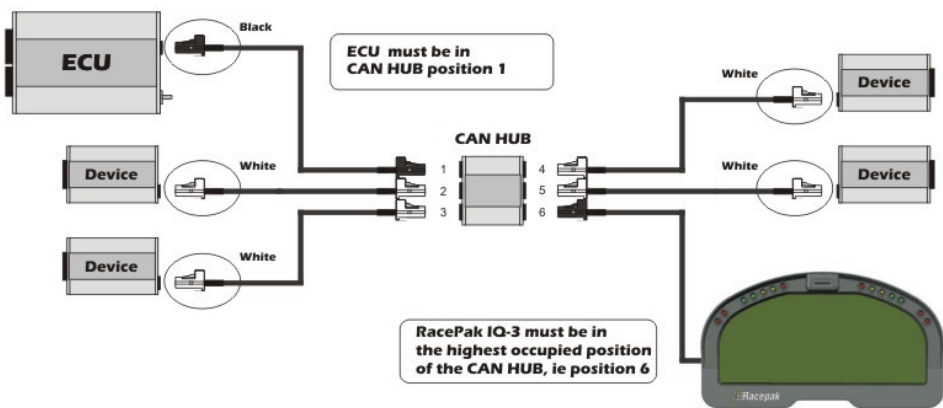
ECU with 2 Devices (inc RacePak IQ-3)



ECU with 3 Devices (inc RacePak IQ-3)



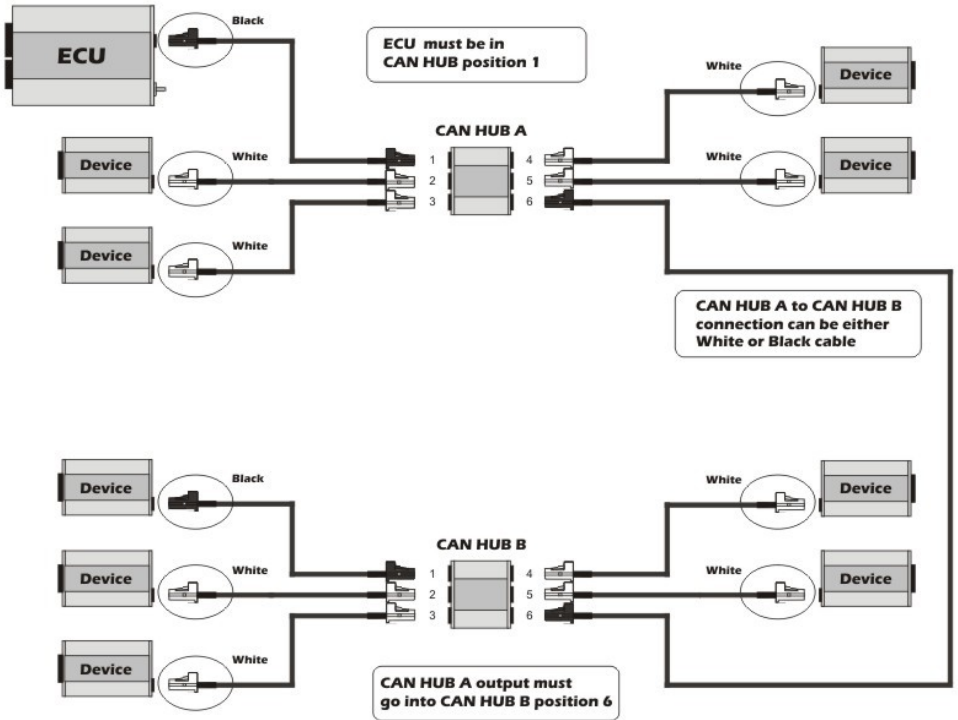
ECU with 4 Devices (inc RacePak IQ-3)



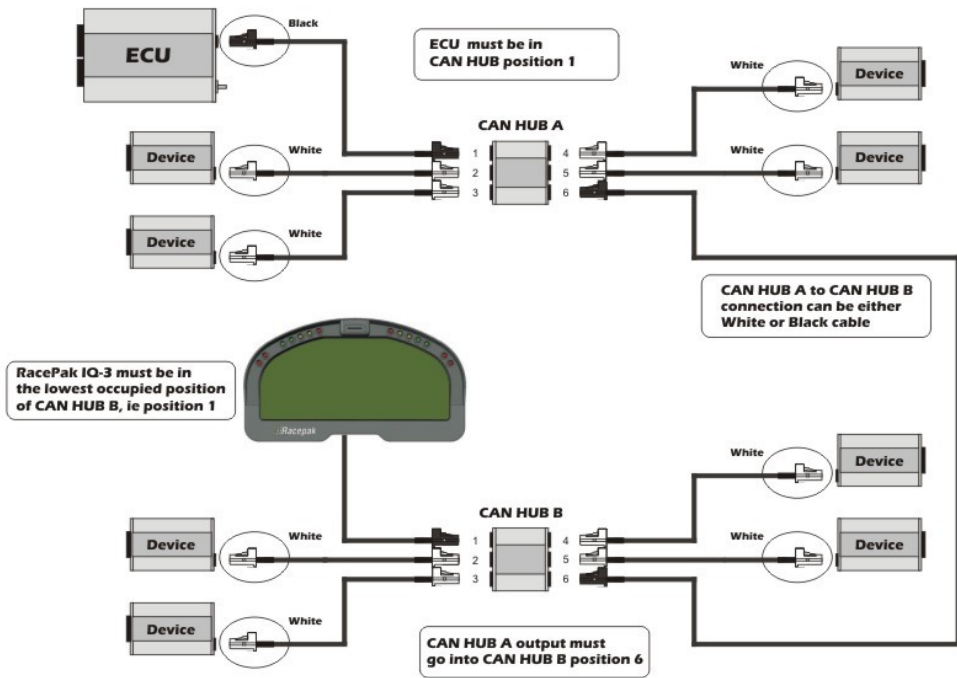
ECU with 5 Devices (inc RacePak IQ-3)

Dual CAN Hub Configurations

When configuring for dual hubs, the second hub is populated in reverse order, from position 6, down to position 1. The last device on the second hub **must** be terminated using a black cable.



Dual CAN Hub configuration without Racepak IQ-3



Dual CAN Hub configuration with RacePak IQ-3

HALTECH HEAD OFFICE: PH: +612 9729 0999
FAX: +612 9729 0900
EMAIL: sales@haltech.com

HALTECH US OFFICE: EMAIL: usa@haltech.com

See the Haltech Website for your local authorized dealer.

www.haltech.com

Version 2