



***PLATINUM***  
**PRO PLUG-IN**  
***Nissan Z32***  
***300ZX***  
***(HT055007)***  
**QUICK START GUIDE**



## LIMITED WARRANTY

Lockin Pty Ltd trading as Haltech warrants the Haltech™ Programmable Fuel Injection System to be free from defects in material or workmanship for a period of **12 months** from the date of purchase.

Proof of purchase, in the form of a bill of sale or receipted invoice, which indicates that the product is within the warranty period, must be presented to obtain warranty service. Lockin Pty Ltd trading as Haltech suggests that the purchaser retain the dealer's dated bill of sale as evidence of the date of retail purchase.

If the Haltech™ Programmable Fuel Injection System is found to be defective as mentioned above, it will be replaced or repaired if returned prepaid along with proof of purchase. This shall constitute the sole liability of Lockin Pty Ltd trading as Haltech.

To the extent permitted by law, the foregoing is exclusive and in lieu of all other warranties or representations, either expressed or implied, including any implied warranty of merchantability or fitness. In no event shall Lockin Pty Ltd trading as Haltech, be liable for special or consequential damages.

## DISCLAIMER

Haltech will not be held responsible for any damage caused by the incorrect installation or tuning of this product. It is the installers responsibility to ensure the wiring connections and pinouts match that of the vehicle the unit is being installed into.

Haltech has taken all care to make sure the connections match the specified vehicles listed, but variations in wiring and connections on vehicles can occur and therefore this should be checked BEFORE the unit is installed.

Haltech highly recommends installation and tuning of this product is to be carried out by a professional, with an understanding on installing and tuning engine management systems.

Misuse of this product can destroy your engine.

## WARNING

This ECU is designed and sold for Racing use only. Using this product for street / road use may be prohibited by law. Please check with your local vehicle authority before using this product.

## GENERAL INSTALLATION WARNING

Avoid open sparks, flames or operation of electrical devices near flammable substances. Always disconnect the battery cables when doing electrical work on your vehicle.

Do not charge the battery with a 24 Volt truck charger or reverse the polarity of the battery or any charging unit. Do not charge the battery with the engine running as this could expose the ECU to an unregulated power supply that could destroy the ECU and other electrical equipment.

All fuel system components and wiring should be mounted away from heat sources, shielded if necessary and well ventilated. Disconnect the Haltech ECU from the electrical system whenever doing any arc welding on the vehicle by unplugging the wiring harness connector from the ECU.

After completing the installation, make sure that there are no fuel leaks, and no wiring left un-insulated in case a spark or short-circuit occurs and causes a fire. Also make sure that you follow all proper workshop safety procedures. If you're working underneath a jacked-up car, always use safety stands!

# ***PLATINUM Pro Plug-in Nissan Z32 / 300ZX***

## **Quick Start Guide**

Congratulations on purchasing a Haltech Engine Management System. This *fully programmable Plug and Play* product opens the door to virtually limitless performance modification and tuning of your vehicle. Programmable systems allow you to extract all the performance from your engine by delivering precisely the required amount of fuel and ignition timing that your engine requires for maximum output under all operating conditions.

This quick start guide will walk you through installation of the Platinum Pro ECU into a vehicle. This guide is accompanied by the full service manual located on the software CD provided with the ECU that you or your tuner will need to refer to before completing your installation and configuration. The Manual is included in the software which can be downloaded from the Haltech website [www.haltech.com](http://www.haltech.com)

### **Supported Vehicles**

The Platinum Pro Plug-in Nissan Z32 / 300ZX ECU supports the following:

- Nissan Z32 / 300ZX

### **Platinum Pro Plug-in Nissan Z32 / 300ZX Kit Includes**

- Haltech Platinum Pro Plug-in ECU
- USB Cable
- Software CD
- Quick Start Guide
- Haltech Sticker

### ***Loaded Basemap***

Your Platinum Pro Plug-in has been programmed with a basemap to suit a Nissan Z32 / 300ZX running a VG30DETT engine using a standard MAF sensor.

Alternatively, a basemap using the Haltech ECU Internal MAP Sensor as a load reference is available in the following folder for you to upload into your ECU:

***C:\Users\<username>\Documents\Haltech\ECUMaps\Nissan\Z32***

If you choose this basemap, then please make sure you connect the Haltech ECU Internal MAP sensor to the intake manifold prior to starting the vehicle.

Please ensure you load, modify and check the corresponding basemap for your application before attempting to start the vehicle.

## ECU Installation

To install your new Platinum Pro Plug-in to your Nissan Z32 / 300ZX, please follow the procedures below.

You will require the following tools

- Screwdrivers Phillips No 2 , Small Flat
- Socket set with 10mm socket
- Cable Ties / 3M Velcro tape or similar

1. Locate your factory ECU. This will be located in the foot well of the passenger side of the vehicle. To access, pull back the carpet and unscrew the four 10mm bolts securing the cover in place. Remove the cover to access the ECU.

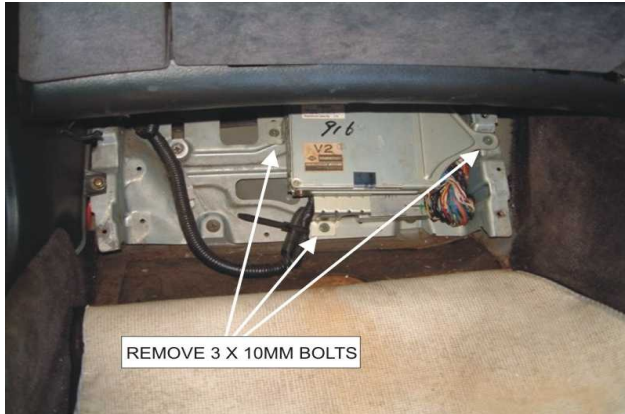


**Figure 1 – Left hand footwell showing ECU cover**



**Figure 2 – Factory ECU Mounting Location with cover removed**

2. With the ignition turned off remove the 3 x 10mm bolts mounting the ECU to the vehicle. Proceed to remove the bolt in the centre of the ECU connector using a 10mm socket and gently ease the connector out. Be sure to pull the connector out squarely so as not to cause any damage to the pins or wires. With the connector disconnected the ECU can be removed from the vehicle.



**Figure 3 – Mounting Bolt Locations**

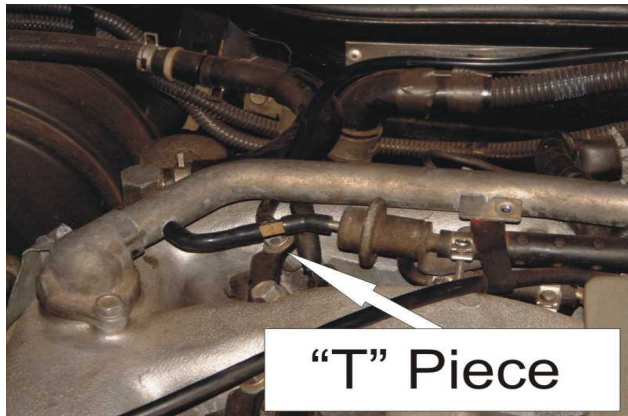
3. Remove the 4 screws securing the mounting bracket to the factory ECU. Attach this bracket to the Haltech ECU as shown in figure 4 below using cable ties and 3M tape. Re install into vehicle.



**Figure 4 – Platinum Pro Plug-in ECU mounted in factory location**

- (Optional) If the OEM Air Flow Meter has been removed, then the internal MAP sensor is required as the main load sensor. Please connect the internal MAP sensor to the manifold with vacuum line.

This is best achieved by obtaining a “T” piece and connecting between the fuel pressure regulator and the manifold. Please see pictures below



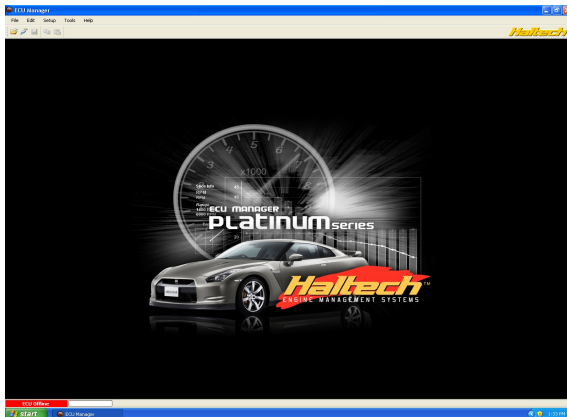
**Figure 5 – “T” piece installation location**



**Figure 6 – Internal MAP sensor vacuum line installed**

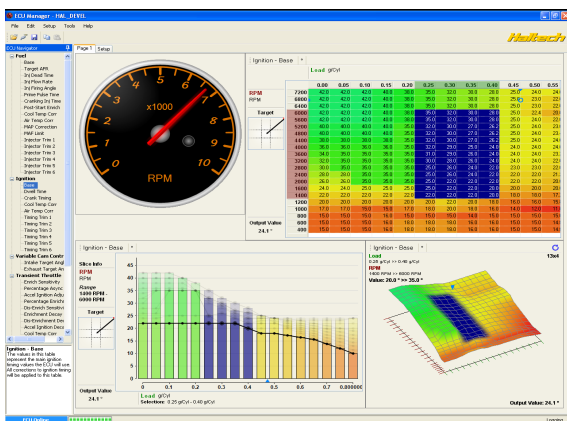
- With the ECU installed do not attempt to start the vehicle. You will need to configure the ECU. The ECU is pre-configured for use with a VG30DETT standard engine. If this is your setup then you will not have to load a basemap. However, it is still strongly recommended that you check your settings before starting your engine.

With the corresponding basemap loaded into the ECU, a standard engine should be able to be started at this point. If your engine is not standard please adjust any configuration settings affected according to your setup.



**Figure 7 – Haltech ECU Manager Software**

- With the engine started and running its time to tune. This is best achieved by your nearest engine tuner. See the listing of Haltech dealers on our website to find the one closest to you.



**Figure 8 – Haltech ECU Manager Software tuning page**

## ***ECU Manager Software***

ECU Manager software is used for setup, calibration and diagnostics and can be found on the CD supplied with this unit or downloaded from the Haltech website [www.haltech.com](http://www.haltech.com)

### ***Minimum System Requirements***

Operating System:	Windows 2000 SP4 / XP / Vista / Windows 7
Processor Speed:	1GHz
RAM:	256 Mb
Video Card:	128MB graphics card with 3D acceleration
USB:	1.1
Hard Drive Space:	250Mb
Minimum Screen Resolution:	1024 x 768 pixels

### ***Installing ECU Manager***

Installing ECU Manager onto your PC is performed similar to any other Windows software package. Installation is outlined below to ensure correct installation:

- 1.** Insert the CD-ROM into your PC's CD-ROM drive. The CD should automatically launch into the Haltech Browser. If the CD does not run automatically double click on the "My Computer" icon on the desktop, double click on the Haltech icon (CD- ROM drive) to start the browser software.
- 2.** The Browser will display the disclaimer and you will need to agree to the terms stated before allowing to progress. Read the Disclaimer and click on AGREE if you agree.
- 3.** Now you will be able to access all the information contained on the CD
- 4.** To download the Platinum Software, click on the Platinum Series ECU Manager Link. You will be prompted to install the software. Click "Install" to install ECU Manager and the Data Log viewer.
- 5.** Follow the software prompts and install the software.

With your programming cable (USB) attached to your ECU and the other end connected to your laptop, power up the ECU by turning your key to IGN. Start the programming software on your PC and go online with the ECU.



## ***ECU Manager / ECU Manuals***

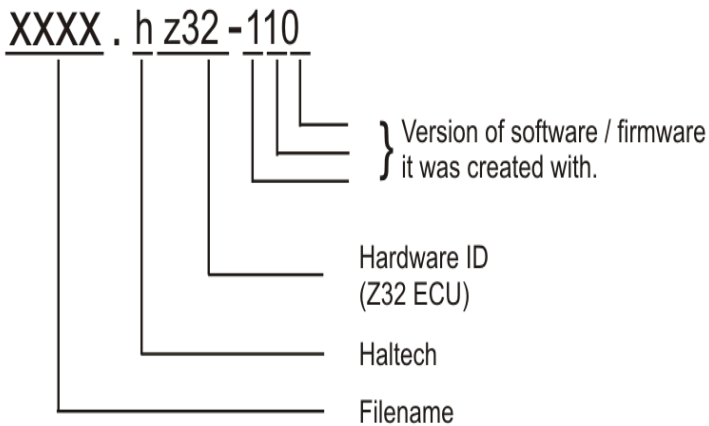
Detailed manuals can be found in the software by pressing your F1 key or by selecting the Help tab located at the top left of the screen

## ***ECU Manager File Extensions***

When ECU manager saves the map from the Haltech ECU, it saves the map with a Haltech specific file extension.

The File extension can be broken down as follows:

*Example File : xxxx.hz32-110*



Later map versions cannot be loaded into ECU's with earlier firmware versions.

ECU Manager will upgrade earlier map versions when loading into ECU's with later firmware versions.

ECU Manager upgrades maps between versions where equivalent settings are available. However, new settings not in the original map, will be substituted with values from the new version's default map.

**WHENEVER ECU MANAGER CONVERTS YOUR ECU MAP, YOU SHOULD ALWAYS CHECK YOUR MAP SETTINGS TO ENSURE THAT ALL THE APPROPRIATE SETTINGS HAVE BEEN CONVERTED CORRECTLY.**

## Rear Auxiliary Connector

The Platinum Pro Plugin Series allows further expansion of your ECU by the Rear Auxiliary Connector.

The Rear Auxiliary connector allows you access to:

- 2 Additional Digital Pulsed Outputs ( DPO )
- 2 Additional Digital Switched Outputs ( DSO )
- 2 Additional Analogue Voltage Inputs ( AVI )
- 2 Additional Analogue Temperature Inputs ( ATI )

These extra Inputs / Outputs can be used to:

- Fit additional sensors. (eg. MAP and Temperature)
- Control additional devices via relays
- Control additional solenoids directly (eg. Aftermarket Boost Control solenoid)

*The Rear Auxiliary harness is available as an optional extra. ( HT040003 )*



Pin #	Wire Colour	Connection
1	O	+5V
2	Y	AVI1 (MAP)
3	O/B	AVI2
4	B/W	SIGNAL GROUND
5	V/B	DPO1
6	V/BR	DPO2
7	-	-
8	-	-
9	O	+5V
10	GY	ATI1 (AIR)
11	GY/B	ATI2
12	B/W	SIGNAL GROUND
13	V/R	DSO1
14	V/O	DSO2
15	-	-
16	-	-

**Figure 9 - Rear Auxiliary Harness Connector and Pin-out**

### ***Digital Pulsed Outputs ( DPO )***

Digital Pulsed Outputs are capable of producing pulsed waveforms with varying duty and frequency. DPO's can be used to control various devices such as thermo-fans, shift lights, bypass air control valves, boost control solenoids etc.

When a Digital Pulsed output is activated by the ECU the output will switch to ground. Solenoid valves and shift lights etc can be run directly from the output, however high current devices such as thermo-fans and additional fuel pumps must be activated through a relay. This way the DPO is only switching a relay and not a high current draw device.

Two additional outputs can be connected using the Optional Rear Auxiliary Harness ( HT040003 )

**Digital Pulsed Outputs are limited to 800mA Max current draw.**

### ***Digital Switched Outputs ( DSO )***

Digital Switched Outputs are capable of switching to ground  
DSO's can be used to control relays in an on / off state only.

Two additional outputs can be connected using the Optional Rear Auxiliary Harness ( HT040003 )

**Digital Switched Outputs are limited to 800mA Max current draw.**

### ***Analogue Voltage Inputs ( AVI )***

Analogue Voltage Inputs accept variable voltage inputs from 0V to 5V. These inputs can also accept switch inputs that change between two different voltage levels. The On Voltage and Off Voltage define what the thresholds are between the On and Off states. The Voltage can be viewed as a channel in the software to determine the thresholds for a switched input.

Two additional sensors or switched inputs can be connected using the Optional Rear Auxiliary Harness ( HT040003 )

### ***Analogue Temperature Inputs ( ATI )***

Analogue Temperature Inputs accept variable resistance sensors.

These inputs have a pull – up resistor connected to them to allow them to be used with most automotive temperature senders ( Variable resistance thermistor types ).

Two additional sensors can be connected using the Optional Rear Auxiliary Harness ( HT040003 )

### ***Wire connections***

When using crimp connectors ensure that the correct crimping tool is used – if in doubt do a pull test on a crimp connector, the wire should break before the wire pulls out of the crimp. Terminal soldering can weaken a connection and should only be used as a last resort. If solder joints are used, ensure joints are well isolated from movement as solder joints are prone to fracture.

When splicing 2 wires it is preferable to use a crimp splice – again if using a solder joint, ensure joint is limited in its range of possible movement as solder joints are prone to fracture. Always use heat-shrink sleeving to insulate wires.

## The Haltech CAN Network

The Haltech CAN network allows for simple and effective expansion in ECU capability and functionality without having to go to the trouble of wiring in a whole new computer.

Expansion is made possible by the addition of multiple expansion devices that communicate to the main ECU via a Control Area Network (CAN).

Installation time and costs are kept to a minimum as all expansion devices are powered up from the main ECU via the pre-terminated connection cable that comes with each expansion device.

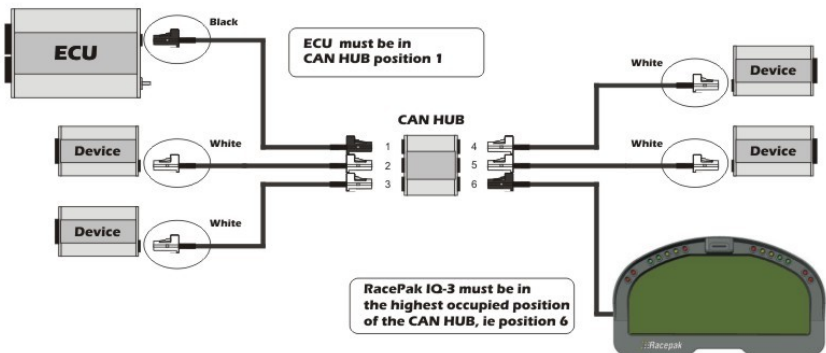
Simply connect the device directly to the 8 pin CAN connector on the rear of the ECU or connect using an optional Haltech CAN Hub (order as part # HT059990) if multiple expansion devices are required).

Each expansion device is pre-programmed with a unique ID code which allows it to be recognised on the network and work correctly first time every time.

For current available expansion devices please go to our website at [www.haltech.com](http://www.haltech.com)

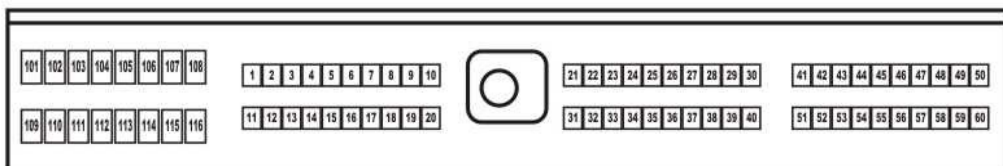


**Figure 9 – Haltech ECU connected to a Racepak Dash**



**Figure 10 – Haltech ECU connected to 5 Auxiliary CAN based devices**

## ECU Pinout



1	IGN #1 (No. 1 Ignition Coil Pulse)
2	IGN #2 (No. 2 Ignition Coil Pulse)
3	IGN #3 (No. 3 Ignition Coil Pulse)
4	ACC (Auxiliary Air Control Valve)
5	-
6	Thermo Fan
7	Tachometer Speed Signal
8	AIV Control Solenoid Valve
9	Air Conditioner Relay
10	Ground (Ignition Signal System)
11	IGN #4 (No. 4 Ignition Coil Pulse)
12	IGN #5 (No. 5 Ignition Coil Pulse)
13	IGN #6 (No. 6 Ignition Coil Pulse)
14	-
15	-
16	ECCS Relay
17	-
18	Fuel Pump Relay
19	Radiator Fan Relay
20	Ground (Ignition Signal System)
21	-
22	-
23	Knock Sensor 1
24	-
25	Wastegate Control Solenoid Valve
26	Ground (Air Flow Meter)
27	Air Flow Meter Signal
28	Engine Temperature sensor
29	Exhaust Gas Sensor (Right Bank)
30	Ground (TPS, Coolant)
31	-
32	Monitor and Check Lamp
33	FICC Solenoid Valve
34	Power Steering Oil Pressure Switch
35	Fuel Pump Terminal Volt Control Output
36	Fuel Temperature Sensor
37	-
38	Throttle Position Sensor
39	-
40	-

41	Crank Angle Sensor (120deg Sensor)
42	Crank Angle Sensor (1deg Sensor)
43	Ignition Switch Start Signal
44	-
45	Ignition Switch (IGN)
46	Air Conditioner Switch
47	-
48	Throttle Sensor Power Supply (5V)
49	Control Unit Power Supply (12V)
50	Ground (Control Unit)
51	Crank Angle Sensor (120deg Sensor)
52	Crank Angle Sensor (1deg Sensor)
53	Vehicle Speed Sensor
54	-
55	Exhaust Gas Sensor (Left Bank)
56	-
57	-
58	-
59	Control Unit Power Supply (12V)
60	Ground (Control Unit)
101	INJ1 (No.1 Injector)
102	EGR Solenoid Valve
103	INJ3 (No.3 Injector)
104	Fuel Pump Terminal Volt Control Output
105	INJ5 (No.5 Injector)
106	-
107	Ground (Injector)
108	Ground (Injector)
109	Injector Power Supply
110	INJ2 (No.2 Injector)
111	PRVR Control Solenoid Valve
112	INJ4 (No.4 Injector)
113	Variable Cam Timing Solenoid
114	INJ6 (No.6 Injector)
115	Exhaust Gas Sensor Heater Ground
116	Ground (Injector)

**Figure 11 – Platinum Pro Plugin Z32 / 300ZX ECU Pinout**



# ***Haltech***™

ENGINE MANAGEMENT SYSTEMS



